

# MATERIAL HANDLER 360X<sub>2</sub>

## specifications

Operating Weight: 99,200 lbs. (44 996 kg)  
SAE Net Horsepower: 271 HP (202 kW)  
Swing Torque: 114,520 lbf-ft. (154.9 kN•m)

### Engine

Isuzu AH-6HK1XYSS Tier 3 turbocharged diesel engine with electronic fuel control, 6-cylinder, Water-cooled, EGR with cooler, Air-to-air intercooler, Common-rail fuel injection, Fuel cooler, Glow plug cold weather starting aid, Auto idle-start, Auto warm-up, EPF engine protection, Remote dual stage fuel filtration, Remote oil filter, Green Plug oil drain, Cyclone air pre-cleaner, Double element air filter.

SAE net horsepower ..... 271 HP (202 kW) @ 2,000 rpm  
Displacement ..... 7.8 L  
Maximum torque ..... 797 lbf-ft (1 080 N-m) @ 1,500 rpm  
Starter ..... 24V-5.0kW  
Alternator ..... 50 amp  
Battery ..... (2) 12-volt, 128 amp hours

### Cab and Controls

Pressurized cab with climate control A/C and heat with defroster, KAB® air suspension seat, Hydraulic cab riser with emergency lowering system, Level 1 cab guard - front, LCD monitor, Illuminated soft-touch switches, SureGrip® joysticks, Steering wheel - adjustable/telescoping, Accel and brake pedals, Intermittent windshield wiper with washer, Roof hatch with sunshade, AM/FM radio, Digital clock, Dome light, Seat belt, Coat hook, Cup holder, Storage compartments, Floor mat, Footrest, Ashtray, 24-volt cigarette lighter, 12-volt outlet, Travel alarm, Handrail, Mirrors.

Selectable working modes, Anti-theft password protection system, On-board self-diagnostic system with memory, Auto-idling system, One-touch decelerator, Neutral safety start, Free Swing, Park Brake, Axle-oscillation control, Outtrigger control, FWD/REV shift, Transmission shifter, Gate-lock safety shutoff.

A/C output ..... 18,250 BTU/hr  
Heater output ..... 20,240 BTU/hr

### Hydraulic System

Open-center system, Two variable-displacement axial-piston pumps for main circuits, One gear pump for pilot controls, One auxiliary gear pump for brake and steer, Main control valve with one 4-spool section, one 5-spool section, one 2-spool section, Brake valve with accumulators, Orbitrol steering valve, Oil cooler, Boom holding valve, 6 micron return filter, Firewall.

### Hydraulic Pumps

Maximum flow ..... 2 x 79.3 gpm (2 x 300 l/min)  
Pilot pump maximum flow ..... 7.9 gpm (30 l/min)  
Auxiliary pump maximum flow ..... 17.6 gpm (67 l/min)

### Relief Valve Settings

Boom up ..... 4,970 psi (343 bar)  
Boom down ..... 3,970 psi (274 bar)  
Arm circuit ..... 4,970 psi (343 bar)  
Swing circuit ..... 4,400 psi (303 bar)  
Travel ..... 4,970 psi (343 bar)  
Grapple open/close ..... 4,970 psi (343 bar)  
Grapple rotate ..... 1,500 psi (103 bar)

### Hydraulic Oil Filtration

Return filter ..... 6 micron  
Pilot filter ..... 8 micron  
Suction screen ..... 105 mesh



### Swing

Planetary reduction powered by axial-piston motor, Internal ring gear with grease cavity for swing pinion, Swing bearing is single-row, shear type ball bearing, Mechanical disc swing brake, Auto-power swing, Free Swing control.

Swing speed ..... 0 – 7.1 rpm  
Tail swing ..... 11' 6" (3.52 m)  
Swing torque ..... 114,520 lbf-ft. (154.9 kN•m)

### Chassis

Steel frame chassis with integral bearing tub, Replaceable bolt-on outrigger steps, (2) Toolbox - lockable, (4) Outtrigger stabilizers with protective cylinder guards and 21-inch pads - simultaneous activation, Non-skid surface on chassis deck, Bolt-on ladders for ingress/egress at each end, Ladders on each side for upper access.

### Powertrain

ZF® 2HL290 Hydrostatic transmission with internal park brake, FWD/REV with 2-speed High/Low powershift, Rexroth AA6VM160 axial piston variable displacement motor, Kessler® Series 81 planetary drive axles, Steering/oscillating front axle, Automatic/manual axle lockout, Rigid rear axle, 4WD, 2-wheel steer, Internal wet disc service brakes, Trelleborg® solid rubber tires with tread.

Tires ..... (4) Single, solid rubber 16.00 – 25  
Tire width ..... 16.0" (406 mm)  
Tire diameter ..... 58.1" (1.48 m)  
Turning radius to outside edge ..... 29' 3" (8.9 m)  
Steering angle ..... 29-degrees  
Travel speed – low ..... 0 - 3.4 mph (0 - 5.4 km/h)  
Travel speed – high ..... 0 - 11.4 mph (0 - 18.3 km/h)

### Lubricant and Coolant Capacity

Fuel tank ..... 153.22 gal. (580 liters)  
Hydraulic tank ..... 46.23 gal. (175 liters)  
Hydraulic system ..... 92.46 gal. (350 liters)  
Engine oil ..... 10.04 gal. (38.0 liters)  
Cooling system ..... 7.93 gal. (30.0 liters)  
Transmission ..... 0.79 gal. (3.0 Liters)  
Front axle ..... 9.25 gal. (35.0 Liters)  
Rear axle ..... 6.87 gal. (26.0 Liters)  
Wheel hubs (each) ..... 1.08 gal. (4.1 Liters)  
Swing drive ..... 2.77 gal. (10.5 Liters)

### Attachment

Boom length ..... 31' 2" (9.5 m)  
Arm length ..... 25' 4" (7.7 m)

### Attachment Cylinders

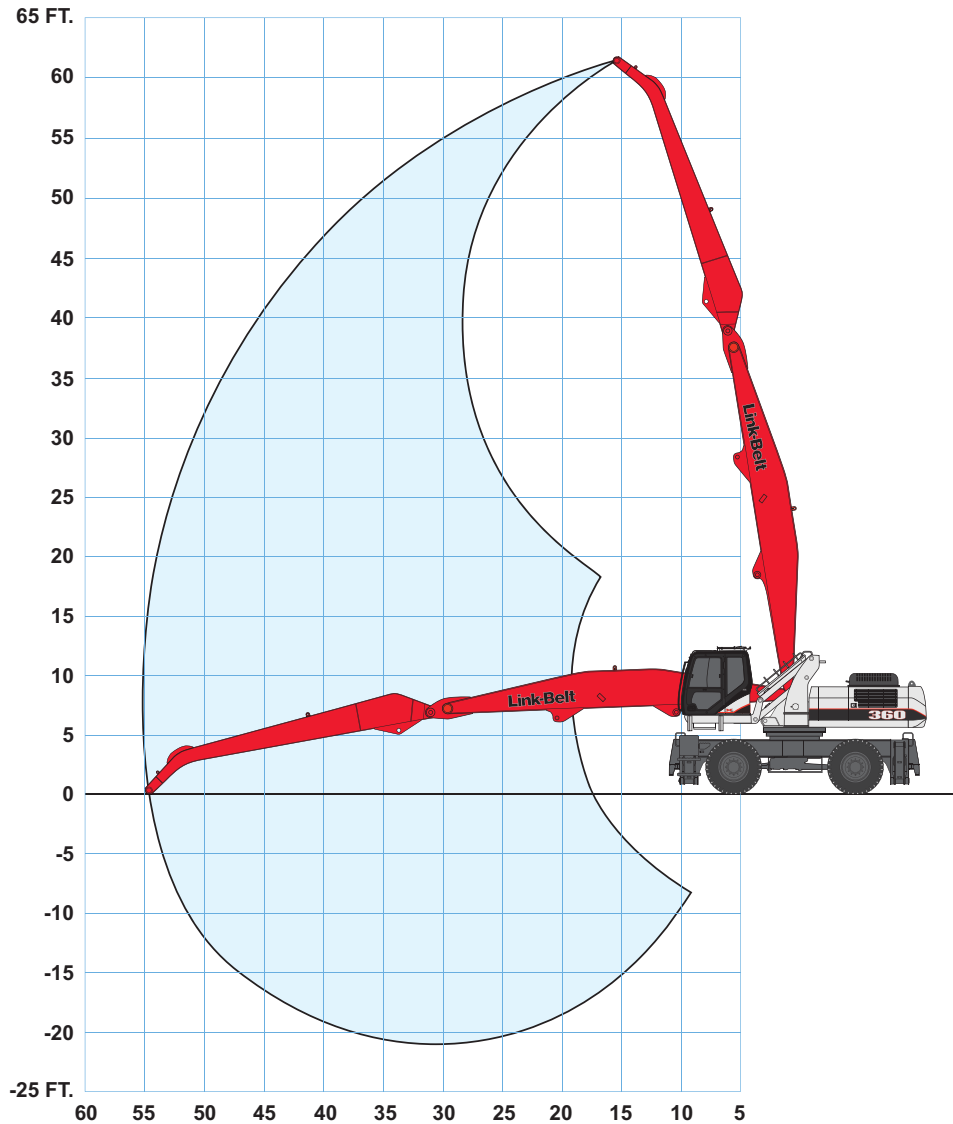
number of cylinders – bore x rod x stroke  
Boom ..... 2 – 6.5" x 4.92" x 55.0"  
(165 mm x 125 mm x 1 397 mm)  
Arm ..... 1 – 6.5" x 4.5" x 66.0"  
(165 mm x 114 mm x 1 676 mm)

### Operating Weight

Working weight with hydraulic cab riser, 16.00 – 25 single tires, 56-foot 2-piece MH attachment, Young LO150C, 1.5 yd<sup>3</sup> 4-tine orange peel grapple, 18,960 lb. (8 600 kg) MH counterweight ..... 99,200 lbs. (44 996 kg)

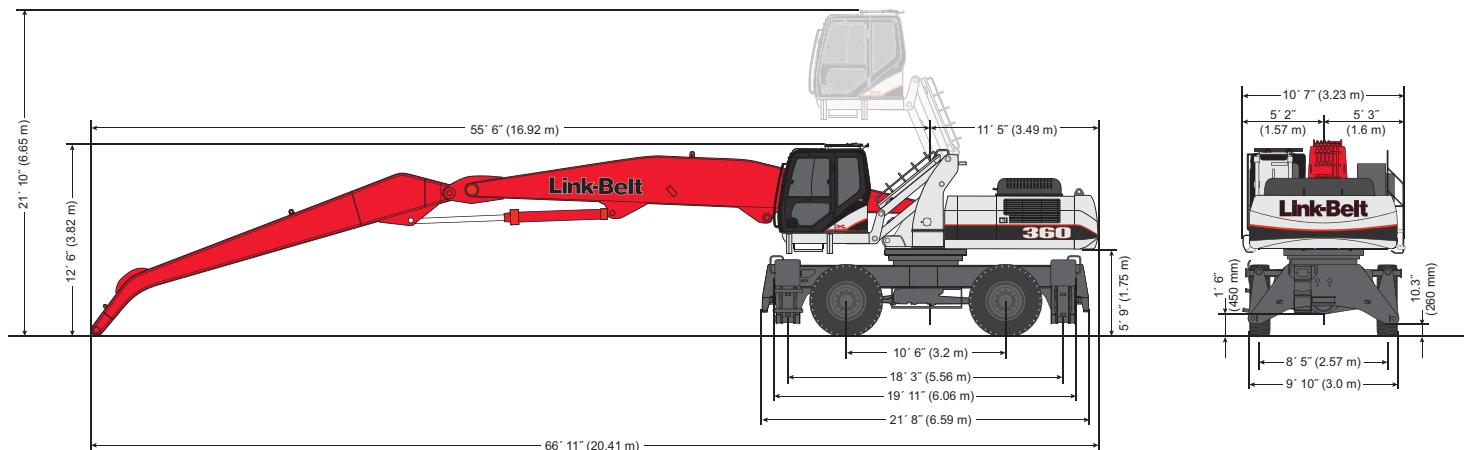
# 360 X2 RT Material Handler Specifications

## Working Ranges



Machine equipped with 31' 2" (9.5 m) boom	25' 4" Arm (7.7 m)
A. Maximum reach	55' 9" (17.0 m)
B. Maximum reach @ ground level	55' 0" (16.8 m)
C. Maximum depth	21' 1" (6.43 m)
D. Maximum height	62' 0" (18.89 m)

## Travel Dimensions



# 360 X2 RT Material Handler Specifications

## Lifting Capacities

25' 4" (7.7 m) Arm with 31' 2" (9.5 m) Boom

	Radius of Load																							
	15' 0" (4.57 m)		20' 0" (6.10 m)		25' 0" (7.62 m)		30' 0" (9.14 m)		35' 0" (10.66 m)		40' 0" (12.19 m)		45' 0" (13.72 m)		50' 0" (15.24 m)		55' 0" (16.76 m)							
	End	Side	End	Side	End	Side	End	Side	End	Side	End	Side	End	Side	End	Side	End	Side						
+60' 0" lbs 18.29 m (kg)			17,100*	17,100*																				
+55' 0" lbs 16.76 m (kg)			7 756*	7 756*	16,200*	16,200*	13,200*	13,200*																
+50' 0" lbs 15.24 m (kg)					7 348*	7 348*	5 987*	5 987*	15,500*	15,500*	12,900*	12,900*												
+45' 0" lbs 13.72 m (kg)							7 031*	7 031*	5 851*	5 851*														
+40' 0" lbs 12.19 m (kg)							7 530*	7 530*	7 167*	7 167*	16,200*	16,200*	14,800*	14,800*	12,100*	12,100*								
+35' 0" lbs 10.66 m (kg)							7 666*	7 666*	7 530*	7 530*	16,600*	16,600*	15,800*	15,800*	14,200*	14,200*	10,600*	10,600*						
+30' 0" lbs 9.14 m (kg)							7 893*	7 893*	7 983*	7 983*	16,900*	16,900*	16,600*	16,600*	15,500*	15,500*	13,100*	13,100*						
+25' 0" lbs 7.62 m (kg)					17,000*	17,000*	7 711*	7 711*	8 437*	8 437*	17,400*	17,400*	17,600*	17,600*	16,100*	16,100*	14,700*	14,700*	10,800*	10,800*				
+20' 0" lbs 6.10 m (kg)			15,500*	15,500*	19,100*	19,100*	8 664*	8 664*	9 525*	9 525*	18,600*	18,600*	18,100*	18,100*	16,300*	16,300*	14,700*	14,000*	12,700*	11,600*				
+15' 0" lbs 4.57 m (kg)			7 031*	7 031*	21,600*	21,600*	11 340*	11 340*	12 655*	12 655*	22,000*	22,000*	22,000*	22,000*	19,100*	19,100*	16,800*	16,300*	14,900*	13,400*	13,100*	11,300*	9,300*	9,300*
+10' 0" lbs 3.05 m (kg)			9 798*	9 798*	25,000*	25,000*	11 340*	11 340*	9 979*	9 979*	22,000*	22,000*	22,000*	22,000*	19,100*	19,100*	16,800*	16,300*	14,900*	13,400*	13,100*	11,300*	9,300*	9,300*
+5' 0" lbs 1.52 m (kg)			15,500*	15,500*	28,100*	28,100*	12 428*	12 428*	10 342*	10 342*	22,800*	22,800*	22,800*	22,800*	19,500*	19,400*	16,900*	15,800*	14,800*	13,100*	12,900*	11,100*	10,200*	9,400*
Ground lbs (kg)			7 484*	7 484*	27,900*	27,900*	12 655*	12 655*	10 342*	10 342*	22,800*	22,800*	22,800*	22,800*	19,500*	19,400*	16,900*	15,800*	14,800*	13,100*	12,900*	11,100*	10,200*	9,400*
-5' 0" lbs -1.52 m (kg)	5,900*	5,900*	16,500*	16,500*	27,900*	27,900*	12 655*	12 655*	10 342*	10 342*	22,800*	22,800*	22,800*	22,800*	19,500*	19,400*	16,900*	15,800*	14,800*	13,100*	12,900*	11,100*	10,200*	9,400*
-10' 0" lbs -3.05 m (kg)	2 676*	2 676*	14,200*	14,200*	26,600*	26,600*	12 655*	12 655*	10 342*	10 342*	22,800*	22,800*	22,800*	22,800*	19,500*	19,400*	16,900*	15,800*	14,800*	13,100*	12,900*	11,100*	10,200*	9,400*
-15' 0" lbs -4.57 m (kg)	7,900*	7,900*	14,900*	14,900*	24,300*	24,300*	11 022*	11 022*	9 163*	9 163*	22,000*	22,000*	22,000*	22,000*	17,000*	17,000*	14,200*	14,200*	11,600*	11,600*	8,800*	8,800*		
-20' 0" lbs -6.10 m (kg)	3 583*	3 583*	16,800*	16,800*	20,900*	20,900*	11 022*	11 022*	9 163*	9 163*	22,000*	22,000*	22,000*	22,000*	17,000*	17,000*	14,200*	14,200*	11,600*	11,600*	8,800*	8,800*		
	10,300*	10,300*	16,800*	16,800*	20,900*	20,900*	9 480*	9 480*	7 983*	7 983*	14,800*	14,800*	14,800*	14,800*	12,100*	12,100*	9,500*	9,500*						
	4 672*	4 672*	16,500*	16,500*	14,100*	14,100*	7 484*	7 484*	6 396*	6 396*	11,700*	11,700*	11,700*	11,700*	9,500*	9,500*								
			7 484*	7 484*	6 396*	6 396*	5 307*	5 307*																

### Notes: Material Handler lifting capacities

- Lifting capacities shown should not be exceeded. Weight of all lifting accessories must be deducted from the above lifting capacities.
- Lifting capacities are based on machine standing on firm, uniform supporting surface. User must make allowances for job conditions such as soft or uneven ground.
- Lifting capacities shown do not exceed 75% of minimum tipping loads or 87% of hydraulic capacities. Capacities marked with an asterisk (\*) are limited by hydraulic capacities.
- Least stable position is over the side.
- Operator should be fully acquainted with the Operator's Manual & Operating Safety Booklet, furnished by LBX before operating the machine.
- Capacities apply only to the machine as originally manufactured and normally equipped by LBX Company LLC.
- Lift capacity ratings are based on SAE-J2518.

# 360 X2 RT Material Handler Specifications

## Standard and Optional Equipment

CAB	TRAVEL	HYDRAULICS	ATTACHMENT
12V Power Outlet..... ✓	Travel Alarm with Cancel Switch..... ✓	Accumulators for Brake Circuit..... ✓	31' 2" (9.5 m) Main Boom..... ✓
24V Lighter..... ✓	Trip Meter - Digital..... ✓	Attachment Cushion Valve..... ✓	25' 4" (7.7 m) Arm – Droop Style..... ✓
Air-Suspension Seat – KAB 855..... ✓	Wiper & Washer..... ✓	Auto Swing Priority..... ✓	Boom Work Lights..... ✓
Accelerator Pedal..... ✓	Work Modes..... ✓	Auxiliary Pump (Brake/Steer)..... ✓	Cylinders with Bolt-On Heads..... ✓
AM/FM Sound System..... ✓	<b>ENGINE</b>	Auxiliary Tool Settings - Memory..... ✓	Grapple Tubing
Anti-Theft Device..... ✓	Isuzu Tier 3 Diesel Engine..... ✓	Auxiliary Tubing	Open/Close..... ✓
Ashtray..... ✓	24V System..... ✓	(Grapple Open/Close/Rotate)..... ✓	Rotate with Flow Control..... ✓
Auxiliary Switches on Control Lever..... ✓	Air Filter - Double Element..... ✓	Axial-Piston Pumps (Main)..... ✓	Lift Hooks – Arm/Boom..... ✓
Brake Pedal..... ✓	Air Pre-Cleaner..... ✓	Fire Wall..... ✓	Remote Lube Bank..... ✓
Cab Filter - External..... ✓	Auto Warm-Up System..... ✓	Free Swing..... ✓	Auto Lube - Lincoln..... ●
Cab Handrails..... ✓	Auto-Idle..... ✓	Hydraulic Filter Restriction Indicator..... ✓	
Cab Lights - Exterior..... ●	Cooled Exhaust Gas Recirculation..... ✓	Long Life Hydraulic Oil - 5,000 Hour..... ✓	<b>GENERATOR OPTIONS</b>
Cab Iso-Mounts..... ✓	Cooling Fan..... ✓	Neutral Pump De-stroke..... ✓	20 kW Baldor/Hubbell
Clear Roof Window..... ✓	Drain for Fuel Tank..... ✓	Oil Cooler..... ✓	Solid-State Controller..... ●
Climate Control A/C and Heater..... ✓	Dual Remote Fuel Filters	Orbital Steering Valve..... ✓	Conventional Controller..... ●
Console Tilt..... ✓	with Water Separation..... ✓	Pump Stand-By Pressure..... ✓	20 kW Baldor/Ohio..... ●
Cup Holder..... ✓	Emergency Engine Stop..... ✓	Servo Pilot Pump..... ✓	Magnet Cable Included with
Defroster..... ✓	Engine Oil Drain - Remote..... ✓	<b>UPPERSTRUCTURE</b>	All Gen-Set Options..... ✓
Digital Clock..... ✓	Engine Oil Filter - Remote..... ✓	Automatic Swing Brake..... ✓	Magnet Connecting Link..... ●
Emergency Cab Lowering System..... ✓	Engine Protection Feature..... ✓	Free Swing Control – On/Off..... ✓	
Emergency Rear Exit Ladder..... ✓	Fuel Shut-Off Valve..... ✓	Belly Pans..... ✓	<b>PARTS KIT</b>
Exterior Light Harness..... ✓	Glow Plug Pre-Heat..... ✓	Center Cover (Over Main CV)..... ✓	Engine Manual..... ✓
Floor Mat..... ✓	Idle-Start..... ✓	Counterweight for MH..... ✓	Engine Oil Filter..... ✓
FOPS Head Guard (Level 2)..... ●	Intercooler..... ✓	Fuel Tank Belly Pan..... ✓	Filter Wrench..... ✓
Front Guard..... ✓	Neutral Safety Start..... ✓	Hand Rail - RH Access..... ✓	Fuel Filters..... ✓
Gate Lock Hydraulic Activation..... ✓	One-Touch Idle..... ✓	HD Turntable Bearing and Tub..... ✓	Grease Gun..... ✓
Horn..... ✓	Turbocharger..... ✓	HD Upper Frame with Belly Pans..... ✓	Green Plug Drain Hose for
Hot & Cool Box..... ✓	<b>POWERTRAIN</b>	Lifting Eyes for Counterweight..... ✓	Engine Oil Drain..... ✓
Hour Meter - Digital..... ✓	16.00 – 25 Solid Rubber Tires (4)..... ✓	Lockable Fuel Cap & Service Doors..... ✓	Hydraulic Return Filter..... ✓
Hydraulic Cab Riser..... ✓	2-Wheel Steer..... ✓	Non-Slip Surface Pads..... ✓	Ignition Keys..... ✓
Interior Dome Light..... ✓	4WD..... ✓	Rubber Bumper Guards..... ●	Pilot Circuit Hydraulic Filter..... ✓
LCD Monitor..... ✓	2-Speed Hydrostatic Transmission..... ✓	Work Lights - Boom and Tool Box..... ✓	Rearview Mirrors..... ✓
Maintenance Interval Reminders..... ✓	FWD/REV Modulation..... ✓	<b>CHASSIS</b>	Work Light for Boom..... ✓
Mirrors..... ✓	On-the-Go Shifting..... ✓	Outriggers (4)..... ✓	
On-Board Diagnostic System..... ✓	Axles – Kessler Planetary Drive..... ✓	Outrigger Steps – Bolt On..... ✓	
Radio Mute Switch..... ✓	Axle Oscillation – Auto/Manual..... ✓	Outrigger Cylinder Guards..... ✓	
Roof Sun Shade..... ✓	Front Axle – Steer/Oscillate..... ✓	Ladders – Both Ends/Bolt On..... ✓	
Seat Belt..... ✓	Rear Axle – Rigid..... ✓	Ladders – Both Sides..... ✓	
Storage Compartments..... ✓	Park Brake – Internal Trans..... ✓	Tie-Downs..... ✓	
Steering Wheel	Transmission Guard..... ●	Tool Box (2) – Lockable..... ✓	
Adjustable / Tilt - Telescopic..... ✓	Wet Disc Brakes – Internal..... ✓		
SureGrip Joysticks..... ✓			

**Equipment Key**  
 Standard ✓    Optional ●



LBX Company is the proud maker of quality Link-Belt excavators and is located in Lexington, KY.

Litho in USA 3/11 #LBX2183

© LBX and © Link-Belt are registered trademarks. Copyright 2011. All rights reserved. We are constantly improving our products and therefore reserve the right to change designs and specifications.



www.lbxco.com