

**Quantum**  
SERIES EXCAVATORS®

**4300**

SPECIFICATIONS

73,570 lbs. (33 371 kg) Operating Weight



**Link-Belt**  
EXCAVATORS  
SCRAPMASTER | LOGMASTER

# 4300 Quantum Specifications

## ENGINE

Cummins M11-C265 turbocharged, water cooled, 4-cycle diesel, 6 cylinder, 661 CID (10 800 cc), 4.92" (125 mm) bore x 5.79" (147 mm) stroke.  
 SAE net horsepower ..... 240 HP (186 kW) @ 1,700 rpm  
 Maximum torque ..... 900 ft.-lbs. (124.5 kg-m or 1 178 N-m) @ 1,300 rpm  
 Starter ..... Electric, 24V, 4.5 kW  
 Alternator ..... 70 amp  
 Air cleaner ..... Double element  
 Governor ..... Variable speed, mechanical

## HYDRAULIC SYSTEM

Two variable displacement axial piston pumps and one gear pump for pilot controls, with Link-Belt Intelligent Quantum (IQ) Control. Link-Belt IQ Control includes: four selectable working modes, presettable allied attachment work mode, free swing, one-touch decelerator, auto idling system, power up mode, boom priority mode, selectable cushion attachment control, and three safety lockout switches including gate lock.

### Hydraulic Pumps

Two variable volume piston pumps provide power for attachment, swing and travel.

Maximum flow ..... 2 x 71 gpm (2 x 269 l/min)  
 Pilot pump max. flow ..... 7.4 gpm (27.9 l/min)

### Relief Valve Settings

Boom up/arm/bucket/travel ..... 4,620 psi (325 kg/cm<sup>2</sup>)  
 in Power Up Mode ..... 5,050 psi (355 kg/cm<sup>2</sup>)  
 Swing circuit ..... 4,050 psi (285 kg/cm<sup>2</sup>)  
 Boom down circuit ..... 3,555 psi (250 kg/cm<sup>2</sup>)

### Hydraulic Cylinders – number of cylinders – bore x rod x stroke.

Boom ..... 2 – 5.5" x 3.9" x 58.3" (140 mm x 100 mm x 1 480 mm)  
 Arm ..... 1 – 6.3" x 4.3" x 68.2" (160 mm x 110 mm x 1 733 mm)  
 Bucket ..... 1 – 5.5" x 3.7" x 50.2" (140 mm x 95 mm x 1 275 mm)

### Oil Filtration

Nephron filter ..... 1 micron  
 Return, pilot, drain filter ..... 10 micron  
 Suction filter ..... 105 micron

**Control Valve** One 4-spool valve and one 5-spool valve with auxiliary spool.

## CAB AND CONTROLS

Cab mounted on 6 fluid filled mountings. Features include a safety glass front window and LEXAN® MARGARD™ rear and side windows, reclining/sliding cloth upholstered suspension seat with headrest and armrests, heater, circulating fan, AM/FM radio, cigarette lighter, pop-up skylight window, and intermittent wiper with washer. Front window slides upward for storage and the lower front window is removable. Control levers are located in 4-position tilting control consoles. Reliable soft-touch switches. Easy-to-read illuminated LCD service monitor keeps operator in touch with critical machine functions.

## SWING

Planetary reduction powered by axial piston motor. Internal ring gear with grease cavity for swing pinion. Swing bearing is single-row, four-point contact ball bearing. Swing cushion valve and dual stage relief valves for smooth swing deceleration and stops. Mechanical disc swing brake.

Swing speed ..... 0 – 10.25 rpm  
 Tail swing ..... 10' 8" (3.25 m)  
 Swing torque ..... 75,400 ft.-lbs. (10 428 kg-m)

## UNDERCARRIAGE

X-style carbody is integrally welded for strength and durability. Grease cylinder track adjusters with shock absorbing springs. LC undercarriage with sealed track, lubricated rollers and idlers. Triple grouser track shoes.

Carrier rollers ..... 2 per side  
 Track rollers ..... 9 per side  
 Shoes ..... 50 per side  
 Shoe width ..... 31.5" (800 mm)  
 Ground pressure ..... 7.00 psi (.49 kg/cm<sup>2</sup>)

Alternating inner and outer flanged rollers are used to assure proper track rail to roller engagement.

## TRAVEL SYSTEM

Three-speed independent hydrostatic travel with compact axial piston motors for increased performance. Hydraulic motor powered output shaft coupled to a planetary reduction unit and track sprocket. All hydraulic components mounted within the width of side frame. Travel speeds selected by floor mounted foot switch.

**Automatic Downshift:** When operating in difficult travel conditions or on slopes, travel motor automatically downshifts from high speed to mid-range speed for increased tractive effort. Machine will automatically return to high speed after traveling out of difficult terrain.

**Single Pedal Travel:** Engage both tracks simultaneously.

Max. travel speed ..... 1.4/2.1/3.1 mph (2.3/3.4/ 5.0 km/h)  
 Tractive effort ..... 56,765 lbs. (25 750 kg)  
 Gradeability ..... 70%

Spring applied, hydraulically released disc parking brake built into each motor. Each travel motor equipped with counterbalance valve to prevent over-speeding down an incline and dual stage reliefs for smooth starts and stops.

## LUBRICANT & COOLANT CAPACITY

Hydraulic tank ..... 40.2 gal. (152 liters)  
 Hydraulic system ..... 84.5 gal. (320 liters)  
 Final drive (per side) ..... 2.1 gal. (8 liters)  
 Swing drive ..... 3.4 gal. (12.5 liters)  
 Engine ..... 9 gal. (34 liters)  
 Fuel tank ..... 153.3 gal. (580 liters)  
 Cooling system ..... 15 gal. (56.8 liters)

## ATTACHMENT

### Available Arms

### Digging Force

• 8' 8" (2.63 m) ..... 33,711 lbs. (15 291 kg)  
 in Power Up Mode – 36,823 lbs. (16 703 kg)  
 • 10' 7" (3.23 m) ..... 28,808 lbs. (13 067 kg)  
 in Power Up Mode – 31,467 lbs. (14 273 kg)  
 • 13' 3" (4.03 m) ..... 24,818 lbs. (11 257 kg)  
 in Power Up Mode – 27,109 lbs. (12 297 kg)  
 Bucket digging force ..... 39,357 lbs. (17 852 kg)  
 in Power Up Mode – 42,990 lbs. (19 500 kg)

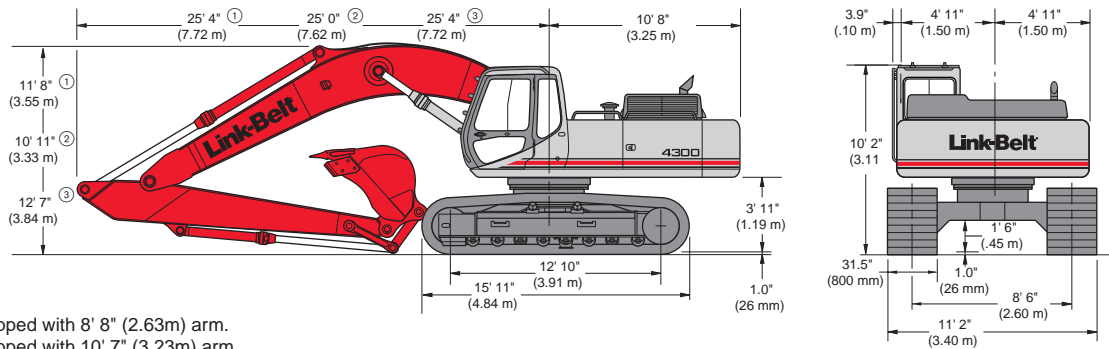
## OPERATING WEIGHT

Working weight with 31.5" (800 mm) shoes, 10' 7" (3.23 m) arm and 2,397 lb. (1 087 kg) bucket ..... 73,570 lbs. (33 371 kg)

## STANDARD EQUIPMENT

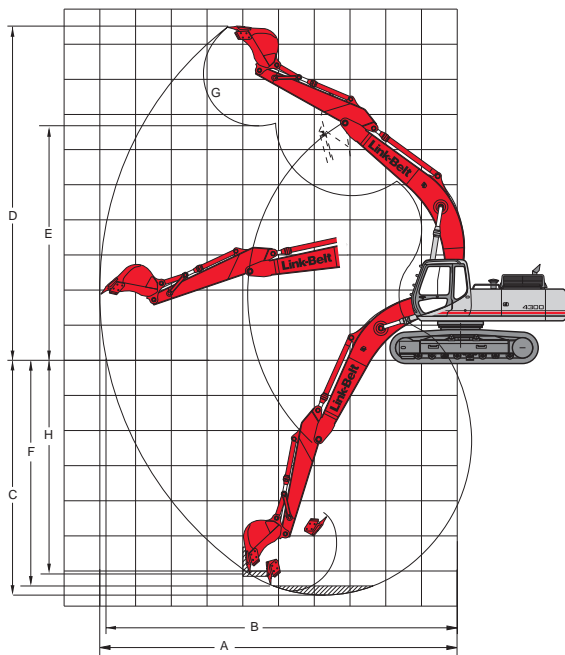
- Cummins M11-C265 diesel engine
- 70 amp alternator
- Double element air filter
- 24-volt starting system, battery lighting system, sealed heavy duty electrical connectors
- Ether starting aid
- Intelligent Quantum (IQ) Control with manual backup system
- Self-diagnostic system
- Nephron filtration system
- Swing-out oil cooler
- Four selectable working modes
- One-touch decelerator
- Auto idling system
- Auto engine warm up
- Power up mode
- Integral cylinder cushioning
- Cushion attachment control
- Boom and arm holding valves
- Free swing control
- 3-speed hydrostatic travel
- Boom priority mode
- Single pedal travel
- Travel alarm
- Spare accessory valve
- Sliding/reclining, suspension cloth upholstered seat with 4-position tilting consoles and sliding platform
- Illuminated LCD service monitor
- Heater, fan, seat belt, horn, dome light, AM/FM radio, digital clock, floor mat, cigarette lighter
- Safety glass front window with automatic lock and intermittent windshield wiper and washer, large LEXAN® rear/side windows
- Vandalism locks/guarding
- Hand grab rails both sides
- Upper and lower undercovers
- LC undercarriage
- 13,230 lbs. (6 000 kg) counterweight
- Quick disconnects in hydraulic system for easy pressure checking

## DIMENSIONS



- ① Machine equipped with 8' 8" (2.63m) arm.
- ② Machine equipped with 10' 7" (3.23m) arm.
- ③ Machine equipped with 13' 3" (4.03m) arm.

## WORKING RANGES



	21' 2" (6.45 m) Boom		
	8' 8" Arm 2.63 m	10' 7" Arm 3.23 m	13' 3" Arm 4.03 m
<b>A</b> Max. digging radius	34' 8" 10.57 m	36' 6" 11.13 m	38' 11" 11.86 m
<b>B</b> Max. digging radius @ ground level	34' 0" 10.37 m	35' 11" 10.94 m	38' 4" 11.68 m
<b>C</b> Max. digging depth	22' 4" 6.80 m	24' 3" 7.39 m	26' 10" 8.19 m
<b>D</b> Max. digging height	32' 9" 9.98 m	33' 9" 10.28 m	34' 7" 10.55 m
<b>E</b> Max. dumping height	22' 8" 6.91 m	23' 7" 7.19 m	24' 6" 7.46 m
<b>F</b> Digging depth – 8' (2.44 m) level bottom	21' 8" 6.61 m	23' 9" 7.24 m	26' 5" 8.06 m
<b>G</b> Bucket wrist angle	184.5°	184.5°	184.5°
<b>H</b> Max. vertical wall depth	18' 4" 5.60 m	20' 9" 6.33 m	23' 4" 7.11 m

## BUCKETS

Bucket Type	Capacity	Width Outside Lip	Weight	# Teeth	Arms		
					8' 8" (2.63 m)	10' 7" (3.23 m)	13' 3" (4.03 m)
ESCO STDP	1.25 cu. yd. (0.96 m <sup>3</sup> )	30" (762 mm)	2,184 lb. (991 kg)	4	H	H	H
	1.50 cu. yd. (1.15 m <sup>3</sup> )	36" (914 mm)	2,397 lb. (1 087 kg)	4	H	H	H
	1.88 cu. yd. (1.44 m <sup>3</sup> )	42" (1 067 mm)	2,655 lb. (1 204 kg)	5	H	H	M
	2.12 cu. yd. (1.62 m <sup>3</sup> )	48" (1 219 mm)	2,828 lb. (1 283 kg)	5	H	M	L
	2.50 cu. yd. (1.91 m <sup>3</sup> )	54" (1 372 mm)	3,100 lb. (1 406 kg)	6	M	M	L
ESCO HDP	1.25 cu. yd. (0.96 m <sup>3</sup> )	30" (762 mm)	2,680 lb. (1 216 kg)	4	H	H	H
	1.50 cu. yd. (1.15 m <sup>3</sup> )	36" (914 mm)	2,894 lb. (1 313 kg)	4	H	H	H
	1.88 cu. yd. (1.44 m <sup>3</sup> )	42" (1 067 mm)	3,234 lb. (1 467 kg)	5	H	H	M
	2.12 cu. yd. (1.62 m <sup>3</sup> )	48" (1 219 mm)	3,474 lb. (1 576 kg)	5	H	M	L
	2.50 cu. yd. (1.91 m <sup>3</sup> )	54" (1 372 mm)	3,784 lb. (1 716 kg)	6	M	L	N/A
ESCO XDP	1.12 cu. yd. (0.86 m <sup>3</sup> )	30" (762 mm)	3,082 lb. (1 398 kg)	4	H	H	H
	1.38 cu. yd. (1.06 m <sup>3</sup> )	36" (914 mm)	3,364 lb. (1 526 kg)	4	H	H	H
	1.75 cu. yd. (1.34 m <sup>3</sup> )	42" (1 067 mm)	3,722 lb. (1 688 kg)	5	H	H	M
	2.00 cu. yd. (1.53 m <sup>3</sup> )	48" (1 219 mm)	4,006 lb. (1 817 kg)	5	H	M	N/A
ESCO HDC	1.38 cu. yd. (1.06 m <sup>3</sup> )	39" (991 mm)	2,643 lb. (1 199 kg)	4	H	H	H
	1.63 cu. yd. (1.25 m <sup>3</sup> )	45" (1 143 mm)	2,988 lb. (1 355 kg)	5	H	H	H

### Approval Code For Arm/Bucket Combinations

H ..... Heavy material  
(up to 3,370 lbs./cu. yd.)

M ..... Medium material  
(up to 2,700 lbs./cu. yd.)

L ..... Light material  
(up to 2,020 lbs./cu. yd.)

N/A ..... Not applicable

# 4300 Quantum Lifting Capacities

8' 8" (2.63 m) ARM EQUIPPED WITH 2,540 LB. (1 152 KG) BUCKET POWER UP MODE APPLIED														
Bucket Hook Height		Radius of Load										Capacity at Max. Reach		
		10' 0" (3.05 m)		15' 0" (4.57 m)		20' 0" (6.10 m)		25' 0" (7.62 m)		30' 0" (9.14 m)				
		End	Side	End	Side	End	Side	End	Side	End	Side			
+20' 0" (6.10 m)	lbs.							13,480*	13,480*			10,370*	9,930	
	kg							6 115*	6 115*			4 704*	4 504	
+15' 0" (4.57 m)	lbs.					16,500*	16,500*	14,230*	14,040*			10,480*	8,820	
	kg					7 484*	7 484*	6 455*	6 455*			4 754*	4 001	
+10' 0" (3.05 m)	lbs.		25,620*	25,620*	18,830*	18,830*	15,360*	13,640*	13,190*	10,030		10,880*	8,280	
	kg		11 621*	11 621*	8 541*	8 541*	6 967*	6 187	5 983*	4 550		4 935*	3 756	
+5' 0" (1.52 m)	lbs.		29,600*	28,260	21,120*	18,340	16,420*	13,050	13,710*	9,740		11,610*	8,180	
	kg		13 427*	12 819	9 580*	8 319	7 448*	5 919	6 219*	4 418		5 266*	3 710	
Ground	lbs.	17,870*	17,870*	30,970*	27,290	22,250*	17,600	17,080*	12,600	13,540		9,520	12,150*	8,530
Line	kg	8 106*	8 106*	14 048*	12 379	10 093*	7 983	7 747*	5 715	6 142		4 318	5 511*	3 869
-5' 0" (1.52 m)	lbs.	27,600*	27,600*	30,120*	27,360	22,090*	17,310	17,000*	12,380			12,240*	9,500	
	kg	12 519*	12 519*	13 662*	12 410	10 020*	7 852	7 711*	5 616			5 552*	4 309	
-10' 0" (3.05 m)	lbs.	38,320*	38,320*	27,650*	27,270	20,660*	17,420	15,600*	12,460			11,590*	11,590*	8,530
	kg	17 382*	17 382*	12 542*	12 574	9 371*	7 902	7 076*	5 652			5 257*	5 257*	
-15' 0" (4.57 m)	lbs.	30,650*	30,650*	22,830*	22,830*	16,930*	16,930*							
	kg	13 903*	13 903*	10 356*	10 356*	7 679*	7 679*							

10' 7" (3.23 m) ARM EQUIPPED WITH 2,370 LB. (1 075 KG) BUCKET POWER UP MODE APPLIED														
+25' 0" (7.62 m)	lbs.													
	kg													
+20' 0" (6.10 m)	lbs.							12,250*	12,250*				7,280*	7,280*
	kg							5 557*	5 557*				3 302*	3 302*
+15' 0" (4.57 m)	lbs.					15,080*	15,080*	13,180*	13,180*	11,940*	10,400		7,330*	7,330*
	kg					6 840*	6 840*	5 978*	5 978*	5 416*	4 717		3 325*	3 325*
+10' 0" (3.05 m)	lbs.	34,770*	34,770*	24,210*	24,210*	17,600*	17,600*	14,470*	13,810	12,670*	10,100		7,600*	7,480
	kg	15 772*	15 772*	10 982*	10 982*	7 983*	7 983*	6 564*	6 264	5 747*	4 581		3 447*	3 393
+5' 0" (1.52 m)	lbs.	19,090*	19,090*	31,010*	27,560	21,890*	17,750	16,730*	12,630	13,990	9,460		8,900*	7,660
	kg	8 659*	8 659*	14 066*	12 501	9 929*	8 051	7 589*	5 729	6 119	4 291		4 037*	3 475
-5' 0" (1.52 m)	lbs.	26,610*	26,610*	30,630*	27,270	22,170*	17,300	17,010*	12,330	13,330	9,310		10,190*	8,410
	kg	12 070*	12 070*	13 894*	12 370	10 056*	7 847	7 716*	5 593	6 046	4 223		4 622*	3 815
-10' 0" (3.05 m)	lbs.	35,960*	35,960*	28,930*	27,410	21,310*	17,270	16,260*	12,280				11,120*	9,990
	kg	16 311*	16 311*	13 123*	12 433	9 666*	7 834	7 376*	5 570				5 044*	4 531
-15' 0" (4.57 m)	lbs.	35,200*	35,200*	25,150*	25,150*	18,650*	17,580	13,410*	12,580				9,740*	9,740*
	kg	15 967*	15 967*	11 408*	11 408*	8 460*	7 974	6 083*	5 706				4 418*	4 418*
-20' 0" (6.10 m)	lbs.	24,320*	24,320*	17,890*	17,890*	12,040*	12,040*							
	kg	11 032*	11 032*	8 115*	8 115*	5 461*	5 461*							

13' 3" (4.03 m) ARM EQUIPPED WITH 2,050 LB. (930 KG) BUCKET POWER UP MODE APPLIED															
Bucket Hook Height		Radius of Load										Capacity at Max. Reach			
		10' 0" (3.05 m)		15' 0" (4.57 m)		20' 0" (6.10 m)		25' 0" (7.62 m)		30' 0" (9.14 m)				35' 0" (10.67 m)	
		End	Side	End	Side	End	Side	End	Side	End	Side			End	Side
+20' 0" (6.10 m)	lbs.									10,390*	10,390*			6,030*	6,030*
	kg									4 713*	4 713*			2 735*	2 735*
+15' 0" (4.57 m)	lbs.							11,860*	11,860*	11,030*	10,700			6,080*	6,080*
	kg							5 380*	5 380*	5 003*	4 854			2 758*	2 758*
+10' 0" (3.05 m)	lbs.		19,660*	19,660*	15,830*	15,830*	13,290*	13,290*	11,760*	10,350	8,010*	7,730		6,310*	6,310*
	kg		8 918*	8 918*	7 180*	7 180*	6 028*	6 028*	5 334*	4 695	3 633*	3 506		2 862*	2 862*
+5' 0" (1.52 m)	lbs.	25,210*	25,210*	26,690*	26,690*	18,550*	18,550*	14,780*	13,390	12,560*	9,900	9,840*	7,520	6,720*	6,650
	kg	11 435*	11 435*	12 107*	12 107*	8 414*	8 414*	6 704*	6 074	5 697*	4 491	4 463*	3 411	3 048*	3 016
Ground	lbs.	21,170*	21,170*	30,080*	27,790	20,890*	17,900	16,030*	12,730	13,180*	9,510	9,280*	7,330	7,370*	6,830
Line	kg	9 603*	9 603*	13 644*	12 606	9 476*	8 119	7 271*	5 774	5 978*	4 314	4 209*	3 325	3 343*	3 098
-5' 0" (1.52 m)	lbs.	25,900*	25,900*	30,550*	26,860	21,890*	17,200	16,770*	12,270	13,270	9,250			8,390*	7,380
	kg	11 748*	11 748*	13 857*	12 184	9 929*	7 802	7 607*	5 566	6 019	4 196			3 806*	3 348
-10' 0" (3.05 m)	lbs.	32,440*	32,440*	29,720*	26,820	21,630*	16,970	16,600*	12,080	12,990*	9,170			10,060*	8,500
	kg	14 715*	14 715*	13 481*	12 166	9 811*	7 698	7 530*	5 479	5 892*	4 160			4 563*	3 856
-15' 0" (4.57 m)	lbs.	39,580*	39,580*	27,190*	26,850	20,050*	17,110	15,140*	12,190					10,190*	10,190*
	kg	17 953*	17 953*	12 333*	12 179	9 095*	7 761	6 868*	5 529					4 622*	4 622*
-20' 0" (6.10 m)	lbs.	31,040*	31,040*	22,010*	22,010*	16,060*	16,060*								
	kg	14 080*	14 080*	9 984*	9 984*	7 285*	7 285*								

## Notes: Excavator lifting capacities

- Lifting capacities shown should not be exceeded. Weight of all lifting accessories must be deducted from the above lifting capacities.
- Lifting capacities are based on machine standing on firm, uniform supporting surface. User must make allowances for job conditions such as soft or uneven ground.
- Lifting capacities shown do not exceed 75% of minimum tipping loads or 87% of hydraulic capacities. Capacities marked with an asterisk (\*) are limited by hydraulic capacities.
- Least stable position is over the side.
- Lifting capacities are in compliance with SAE J1097. Operator should be fully acquainted with the Operator's Manual & Operating Safety Booklet, furnished by manufacturer before operating the machine.
- Capacities apply only to the machine as originally manufactured and normally equipped by LBX Company, LLC.

## Intelligent Quantum (IQ) Control "The Smart System"

- **Four selectable working modes.** The mode selection system enables the operator to program the machine's speed to the job application:  
**H:** Heavy Mode ..... For heavy digging jobs, or any time you need extra power  
**S:** Standard Mode ..... For standard digging and loading operations  
**L:** Light Mode ..... For grading and other jobs where safety and precision are more important than power  
**F:** Fine Mode ..... For lifting and operations that need fingertip accuracy
- **Preselectable allied attachment work mode**
- **Selectable cushion attachment control**
- **Self-Diagnostic System**
- **Auto engine warm up**

### Hose Burst Check Valves (HBCV) Optional

### Integral Cylinder Cushion Design

- **Attachment**  
New design heavy duty box section attachment with central lube bank.

### Illuminated LCD Service Monitor

- Programmable in 14 languages.

### Operator's Control Station

- Mounted on 6 fluid mountings with: heater, oscillating fan, seat belt, horn, dome light, AM/FM radio, digital clock, and 3 safety control lockouts including a gate lock safety shutoff.

### Buckets

- Wide variety of quality Esco buckets with Super V tooth system.

# Quantum

SERIES EXCAVATORS

### Power Up Button

- 9% power increase at the touch of a button.

### Boom Priority Mode

- Increases boomhoist speed relative to swing, maximizing efficiency when loading within a 90° work area. (Standard on 4300 & 5800)

### One-Touch Decelerator or Auto Idling

- Operator has choice of one-touch decelerator or programmable auto idling.

### Hand Grab Rails

- Standard on operator's cab and on top of both sides of machinery house.

### Boom Holding Valves

- Standard on operator's cab and on top of both sides of machinery house.

### Nephron Oil Filtration System

- Cleans the hydraulic fluid of condensation and all contaminants over one micron in diameter.

### Diesel Engines

- Turbocharged, reliable, fuel efficient, and quiet.

### Swing-Out Oil Cooler

- Opens 60° for easy maintenance. (Standard on 2800, 3400, 3900 & 4300)

### Long Undercarriage

- LC undercarriage with heavy duty excavator style components.

### Auxiliary Spool

- For allied attachments.

### Track Frame

- Reduces soil buildup.

### Alternating Inner/Outer Flanged Rollers

- Assures proper rail engagement; filled with synthetic oil.

### Operator's Seat

- Reclining/sliding fully suspended seat for all day comfort.

### Control Console

- 4-position tilting/sliding.

### Undercovers

- Fully covered upper and lower.

### Superior Visibility

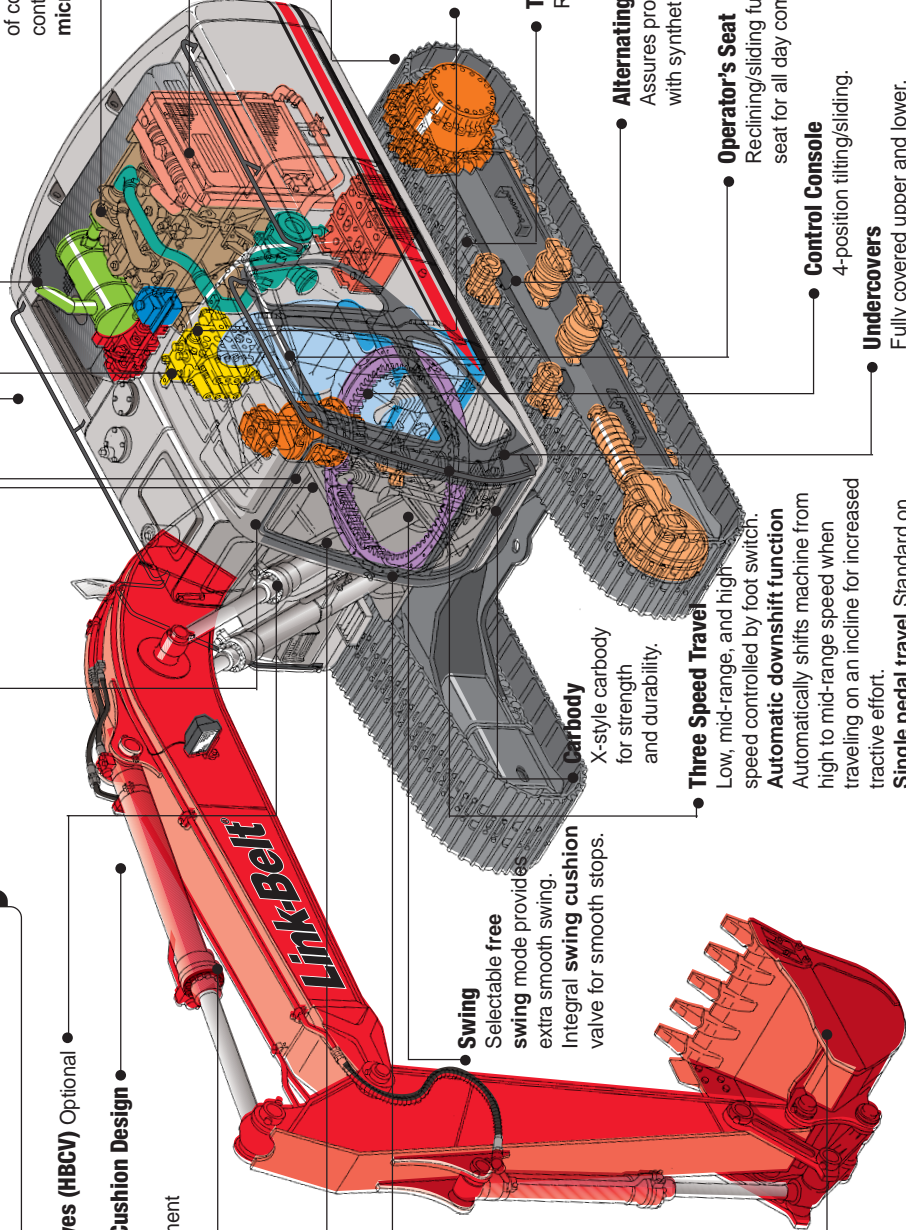
- Safety glass front window. LEXAN® MARGARD™ rear and side windows eliminate need for vandal covers.

### Swing

- Selectable free swing mode provides extra smooth swing. Integral swing cushion valve for smooth stops.

### Three Speed Travel

- Low, mid-range, and high speed controlled by foot switch.
- **Automatic downshift function** Automatically shifts machine from high to mid-range speed when traveling on an incline for increased tractive effort.
- **Single pedal travel** Standard on 3400, 3900, 4300 and 5800.



# Quantum Added Value Features



**Operator's Control Station** Offers superior visibility and more! The operator's control station is designed with the operator in mind, and is mounted to the frame on six fluid filled mountings for minimal vibration. Features include a wide opening door, a cloth upholstered suspension seat with integral headrest and armrests, heater with 3-speed fan, AM/FM radio, cigarette lighter, pop-up skylight window, oscillating fan, and intermittent windshield wiper with washer.

## Nephron Oil Filtration System

The Nephron filter eliminates contaminants of 1 micron or more in size. This significantly reduces hydraulic system breakdown and maintenance costs under normal usage. Less wear and tear on the hydraulic components means you get more years of reliable performance from your Quantum.

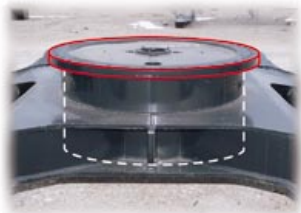


**Long Carriage Undercarriage** Long undercarriages incorporate heavy duty excavator style components. X-style carbody is integrally welded for maximum strength and durability. Newly designed side frames incorporate a peaked saddle shape and large cut-outs on top for reduced dirt build-up. Track adjustment is



made easy with standard grease cylinder track adjusters and shock absorbing springs.

**Bearing "Tub"** Built into the "X" style carbody is the turntable bearing "tub" which extends down through the top plate and is welded to the bottom of the carbody as well as the top for increased strength.



## Swing Out Oil Cooler

A swing out oil cooler assembly is standard on the 2800, 3400, 3900 and 4300. Compared to competition, this unit provides exceptional wide opening access (60°) for easy, thorough cleaning. A removable dust protection screen situated in front of the oil cooler protects the cores from large particles of dust.



**Serviceability** Servicing the Quantum excavator is simplified by the use of large, wide opening doors. Standard quick disconnects for pressure checking and central lube banks for attachment pins also provide quick routine maintenance. A grease gun and tool kit are provided as standard service equipment.



**Product Support** With Link-Belt, your excavation investment is always protected. With a coast-to-coast distributor network, you're never far from Link-Belt.

**Illuminated LCD Service Monitor** Easy to read illuminated monitor can display up to 19 messages including work modes, power up, free swing, engine idling, auto warm up, engine preheat ... and several other audio



visual caution and warning messages which keep the operator in touch with critical machine functions. A bar graph display section constantly monitors the water temperature, hydraulic oil temperature and fuel level. Also continuously displayed on the monitor are selected travel speed, swing lock on/off, working mode and a digital clock.

**Boom Priority Mode** The 4300 and 5800 feature a selectable boom priority function. Activating this mode with a switch on the left console increases boomhoist speed relative to swing, maximizing efficiency when loading within a 90° work area. To best match boomhoist and swing speed when loading 180°, the boom priority can be switched off.

**Free Swing Control** The standard free swing feature allows the operator to disengage the swing brake providing precise control and smooth stops when swinging a load. The swing brake can be engaged to eliminate the upper from coasting when working on a hillside.



## Cushioned Attachment Control

Push-button cushioned attachment control can be selected for the boom and arm hydraulic circuits which incorporate a cushion valve to further reduce shock and vibration.

**One Touch Decelerator** The operator can also control engine idling by using the one-touch decelerator located on top of the right control lever. The operator can push this button to bring the engine speed down to idle while waiting for trucks, etc. Another touch of the button brings the engine rpm back to the original throttle setting.