



# 4040B

## TIMBER LOADER SPEC SHEET

### Engine

Isuzu AQ-6HK1X	
SAE J 1349 Net Horsepower.....	253 hp (189 kW)
Displacement.....	475 cu in (7790 cc)
Maximum Torque.....	711 lbf-ft (964 N-m)
Voltage.....	24V

### Hydraulic System

#### Hydraulic Pumps

Main pumps - 2 variable displacement axial piston pumps with regulating system	
Max. Oil Flow.....	2 x 67.6 gpm (2 x 256 L/min)
Working Circuit Pressure	
Boom/Arm/Heel.....	4970 psi (34.3 MPa)
Swing Circuit.....	4410 psi (30.4 MPa)
Travel Circuit.....	4970 psi (34.3 MPa)
Pilot Pump - 1 Gear Pump	
Max. Oil Flow.....	7.5 gpm (28.5 L/min)
Working Circuit Pressure.....	570 psi (3.9 MPa)

#### Aux. Pump - 1 Gear pump

Max. Oil Flow.....	9.2 gpm (35.0 L/min)
Working Circuit Pressure.....	2990 psi (20.6 MPa)

#### Hydraulic Cylinders - NO. of Cylinders - Bore X Rod Diameter X Stroke

Boom	2 - 5.91" (150mm)	X 4.13" (105mm)	X 47.64" (1210mm)
Arm	1 - 6.69" (170mm)	X 4.53" (115mm)	X 68.11" (1730mm)
Heel	1 - 5.12" (130mm)	X 3.54" (90mm)	X 42.24" (1073mm)

### Swing

Maximum Swing Speed.....	9.1 rpm
Swing Torque.....	82,656 lbf-ft (112,000 N-m)

### Undercarriage

Carrier Rollers.....	2 per side
Track Rollers.....	8 per side
Link Pitch.....	8.50" (216mm)
Shoes.....	48 per side
Shoe Width.....	27.56" (700mm)
Ground Pressure.....	9.57 psi (0.066 MPa)

### Travel System

Travel Speeds.....	1.6-2.6 mph (2.5-4.2 km/h)
Drawbar Pull.....	69,500 lbf (309 KN)
Gradeability.....	70% (35°)

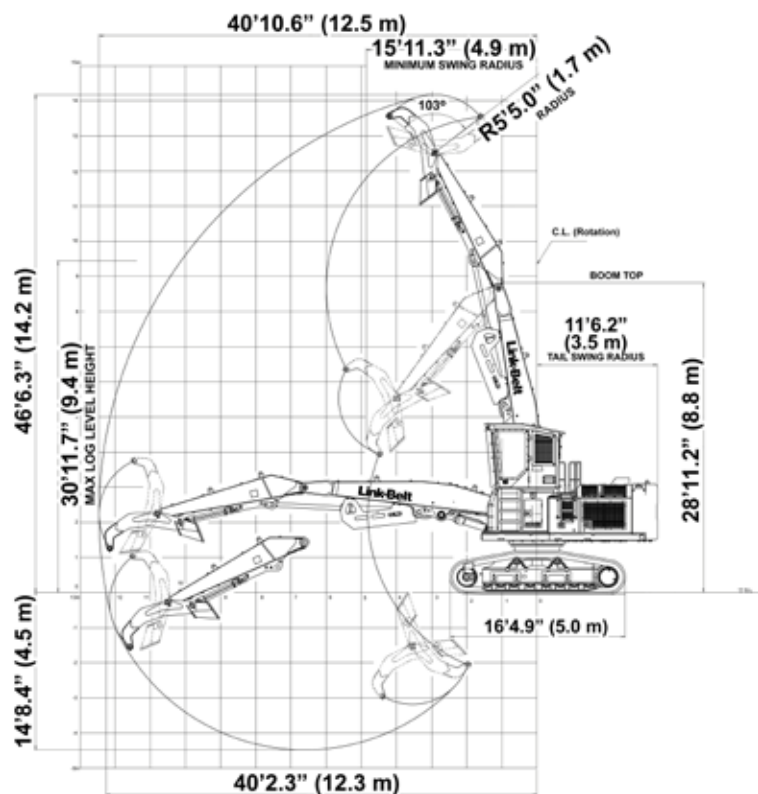
### Lubricant and Coolant Capacity

Fuel Tank.....	216 gal (820 liters)
Hydraulic System.....	79 gal (300 liters)
Hydraulic Tank.....	39 gal (147 liters)
Final Drive (per side).....	2.5 gal (9.5 liters)
Swing Drive.....	1.3 gal (5.0 liters)
Engine Oil.....	10.3 gal (38.9 liters)
DEF Tank.....	31.7 gal (120 liters)
Cooling System.....	12.2 gal (46.2 liters)

### Operating Weight

Side Entry Cab Operating Weight (no tool)*.....	94,517 lbs (42,872 kg)
Rear Entry Cab Operating Weight (no tool)*.....	95,780 lbs (43,445 kg)

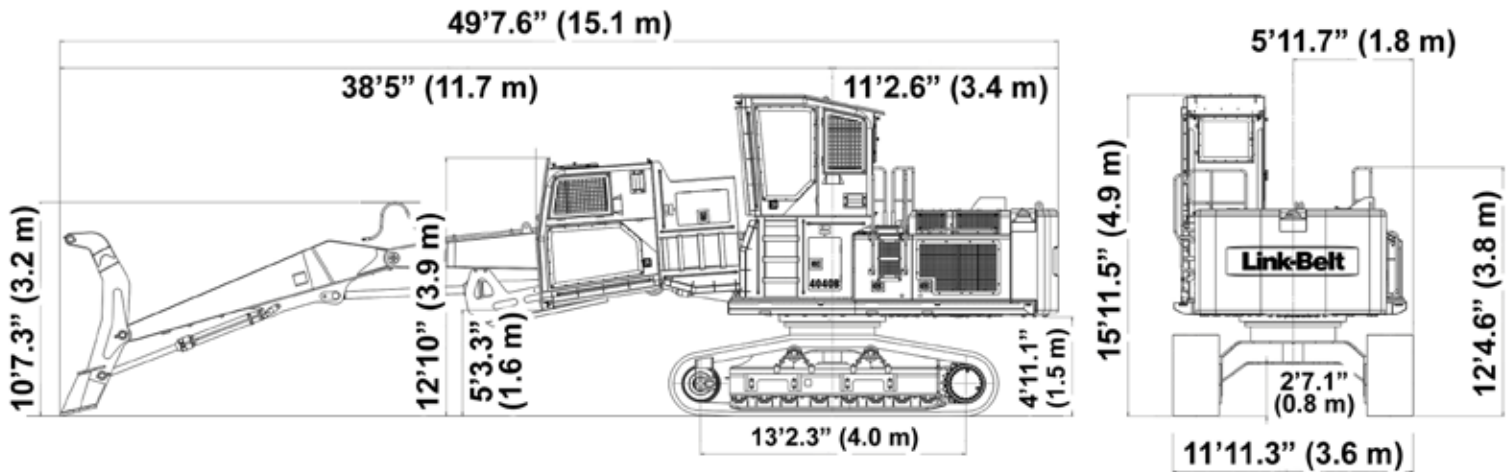
### 4040B Working Range



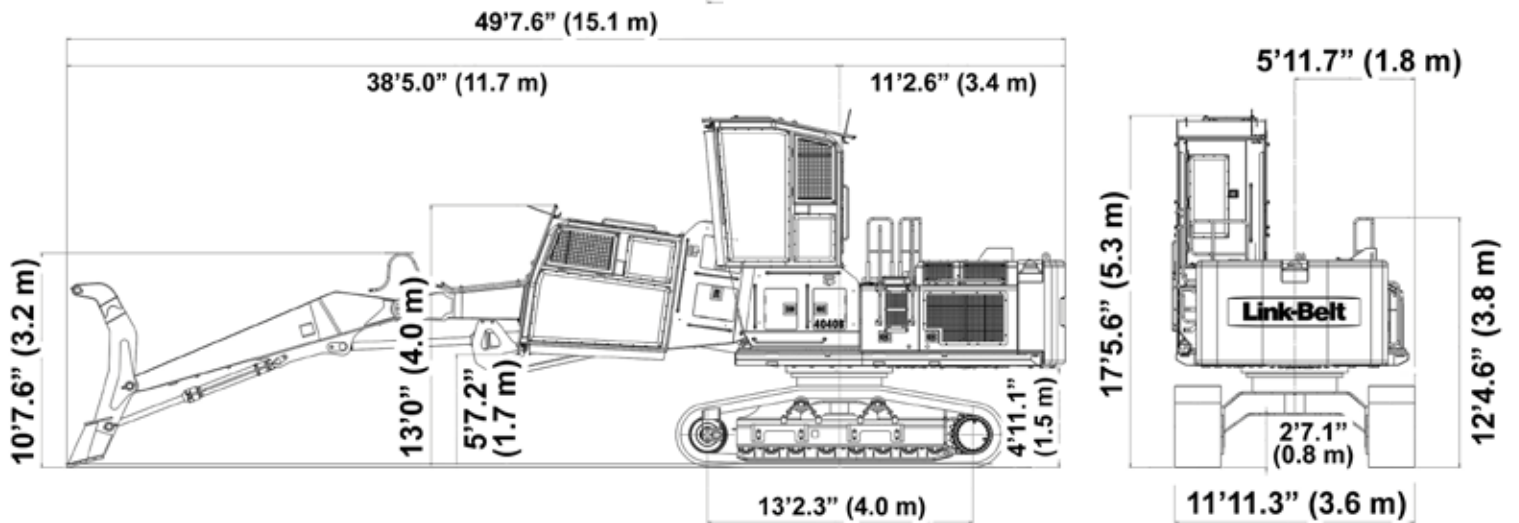
**Link-Belt**  
FORESTRY

# Link-Belt Forestry 4040B Timber Loader Machine Dimensions

## 4040B Timber Loader - Side Entry



## 4040B Timber Loader - Rear Entry



LBX Company

For more information, visit us at [www.LBXCO.com](http://www.LBXCO.com)  
 LBX® and Link-Belt® are registered trademarks. Copyright 2023. All rights reserved.  
 We are constantly improving our products and therefore reserve the right to change designs and specifications.

#LBX2482

**Link-Belt**  
 FORESTRY