



4640B

TIMBER LOADER SPEC SHEET

Engine

Isuzu AQ-6HK1X	
SAE J 1349 Net Horsepower.....	268 hp (200 kW)
Displacement.....	475 cu in (7790 cc)
Maximum Torque.....	729 lbf-ft (988 N-m)
Voltage.....	24V

Hydraulic System

Hydraulic Pumps

Main Pump - 2 variable displacement axial piston pumps with regulating system	
Max. Oil Flow.....	79.3 gpm (2 x 300 L/min)
Working Circuit Pressure	
Boom/Arm/Heel.....	4970 psi (34.3 MPa)
Swing Circuit.....	4270 psi (29.4 MPa)
Travel Circuit.....	4970 psi (34.3 MPa)
Pilot Pump - 1 Gear Pump	
Max. Oil Flow.....	7.5 gpm (28.5 L/min)
Working Circuit Pressure.....	570 psi (3.9 MPa)

Aux. Pump - 1 Gear Pump

Max. Oil Flow.....	9.2 gpm (35.0 L/min)
Working Circuit Pressure.....	2990 psi (20.6 MPa)

Hydraulic Cylinders - NO. of Cylinders - Bore X Rod Diameter X Stroke

Boom	2 - 6.69" (170mm)	X 4.53" (115mm)	X 52.83" (1342mm)
Arm	1 - 7.48" (190mm)	X 5.12" (130mm)	X 64.69" (1643mm)
Heel	1 - 5.91" (150mm)	X 4.13" (105mm)	X 44.88" (1140mm)

Swing

Maximum Swing Speed.....	7.6 rpm
Swing Torque.....	110,600 lbf-ft (150,000 N-m)

Undercarriage

Carrier Rollers.....	2 per side
Track Rollers.....	9 per side
Link Pitch.....	8.5" (216 mm)
Shoes.....	50 per side
Shoe Width.....	27.56" (700mm)
Ground Pressure.....	10.0 psi (0.069 MPa)

Travel System

Travel Speeds.....	1.9-3.1 mph (3.0-5.0 km/h)
Drawbar Pull.....	69,000 lbf (307 kN)
Gradeability.....	70% (35°)

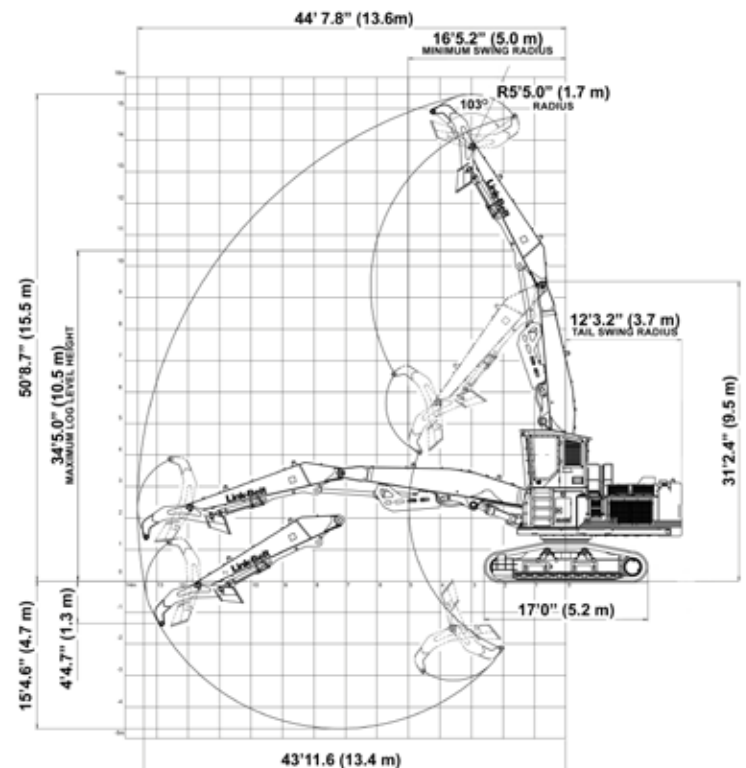
Lubricant and Coolant Capacity

Fuel Tank.....	216 gal (820 liters)
Hydraulic System.....	92 gal (350 liters)
Hydraulic Tank.....	46 gal (175 liters)
Final Drive (per side).....	2.6 gal (10.0 liters)
Swing Drive.....	2.8 gal (10.5 liters)
Engine Oil.....	12.7 gal (48.0 liters)
DEF Tank.....	40 gal (152 liters)
Cooling System.....	10.0 gal (38.0 liters)

Operating Weight

Side Entry Cab Operating Weight (no tool)*.....	103,467 lbs (46,932 kg)
Rear Entry Cab Operating Weight (no tool)*.....	104,731 lbs (47,505 kg)

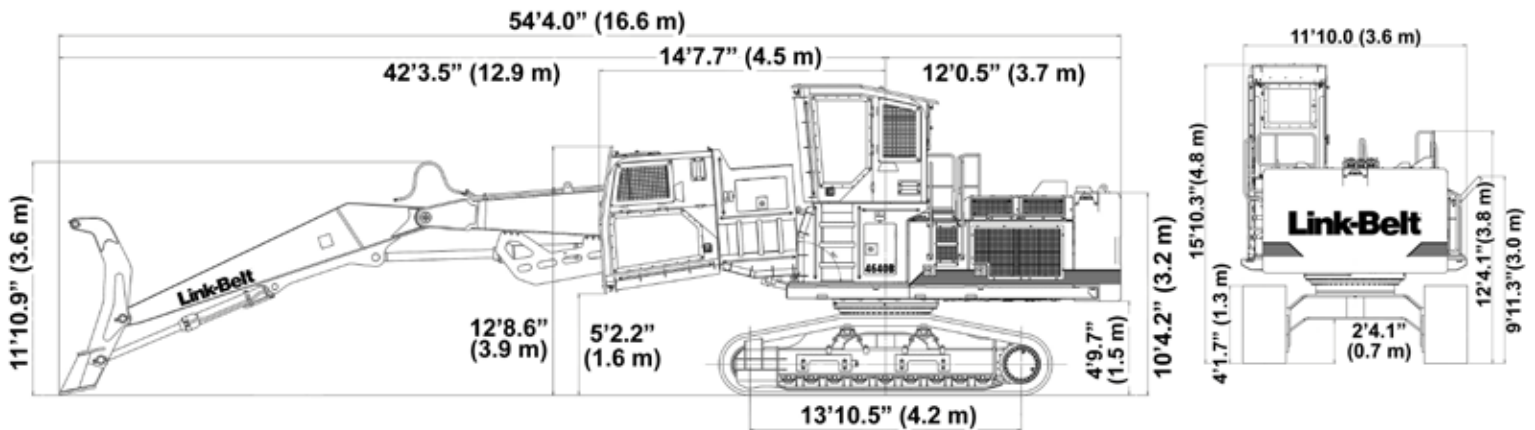
Working Range



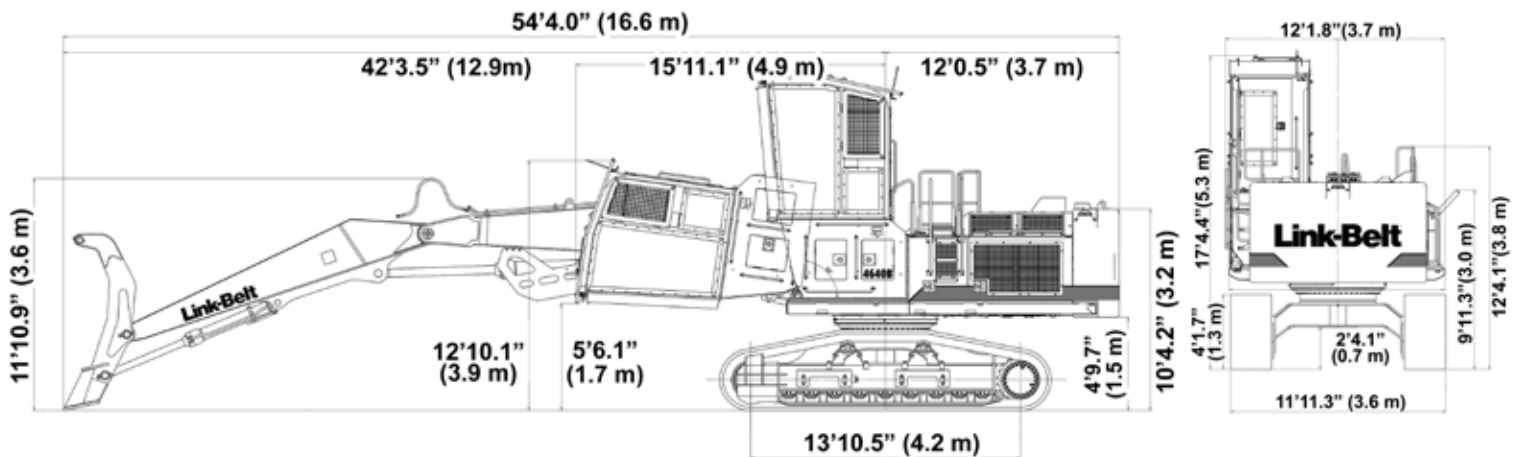
Link-Belt
FORESTRY

Link-Belt Forestry 4640B Timber Loader Machine Dimensions

4640B Timber Loader - Side Entry



4640B Timber Loader - Rear Entry



LBX Company

For more information, visit us at www.LBXCO.com
 LBX® and Link-Belt® are registered trademarks. Copyright 2023. All rights reserved.
 We are constantly improving our products and therefore reserve the right to change designs and specifications.

#LBX2481

Link-Belt
FORESTRY